

PF 30



TECHNICAL DATA

Fluid connections	1" TRI-CLAMP
Air connection	6 mm
Max. flow rate	35 lt/min
Max air pressure	7 bar
Max delivery head	70 m
Max suction lift dry	5 m
Max suction lift wet	9,8 m
Max solid passing	3 mm
Noise level	65 dB
Max viscosity	15.000 cps
Displacement per stroke	65 CC ~

**SS AISI 316
ELECTROPOLISHED**



Ex II 3/3 G Ex h IIC T4 Gb

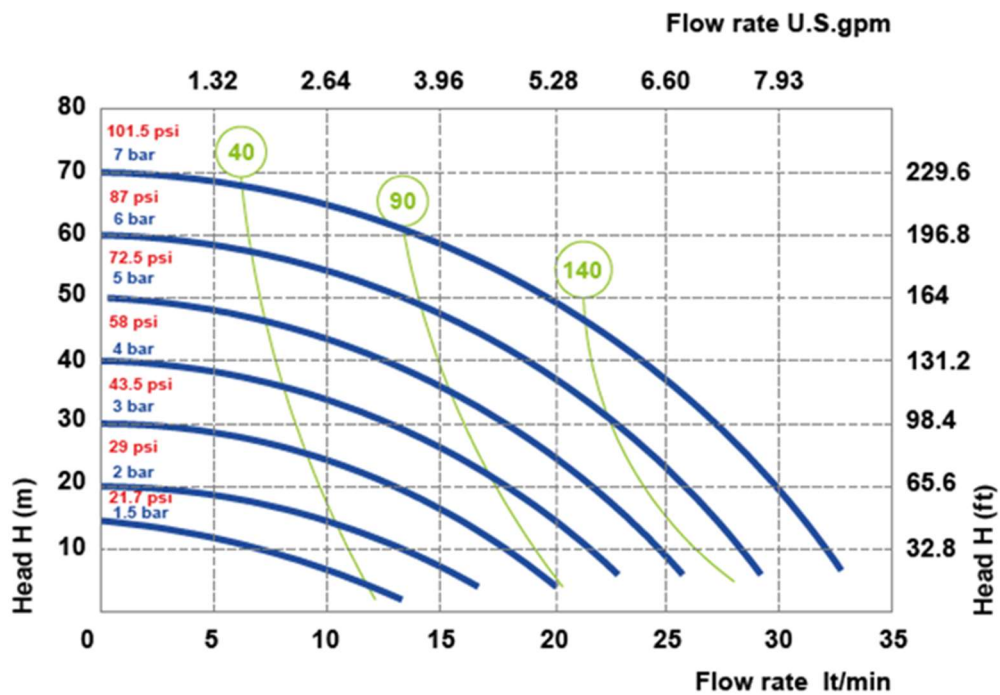
Ex II 3 D Ex H IIIB T135°C Db X

Displacement per stroke may vary based on suction condition, discharge head, air pressure and fluid type.

WEIGHT	TEMPERATURE	
3,8 KG	-20°C	+95°C

PERFORMANCE

The curves and performance values refer to pumps with submerged suction and free delivery outlet, with water at 20 °C. These data may vary according to the construction materials and hydraulic conditions.



Air supply pressure

Air consumption Nit/min



FLUIMAC S.r.l. - Via Breascia, 1 - 21049 - Tradate - VA - ITALY
info@fluimac.com - www.fluimac.com
 tel. +39 0331 866688 - Fax +39 0331 864870
 P.I./VAT 03259160129

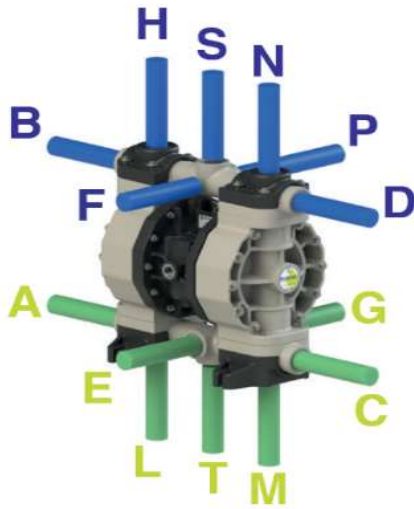


PF 30



COMPOSITION

MODEL	CASING	DIAPHRAGM	BALLS	SEATS	GASKET	CONNECTIONS	ATEX	PORTS
PF0030	SS = SS ELETCTRO-POLISHED	HT = HYTREL+PTFE MT = SANTOPRENE+PTFE	T = PTFE S = SS	S = SS	T = PTFE	1 = BSP 3 = TRI-CLAMP	- = ZONE 2	AB = STANDARD



AVAILABLE CONNECTIONS

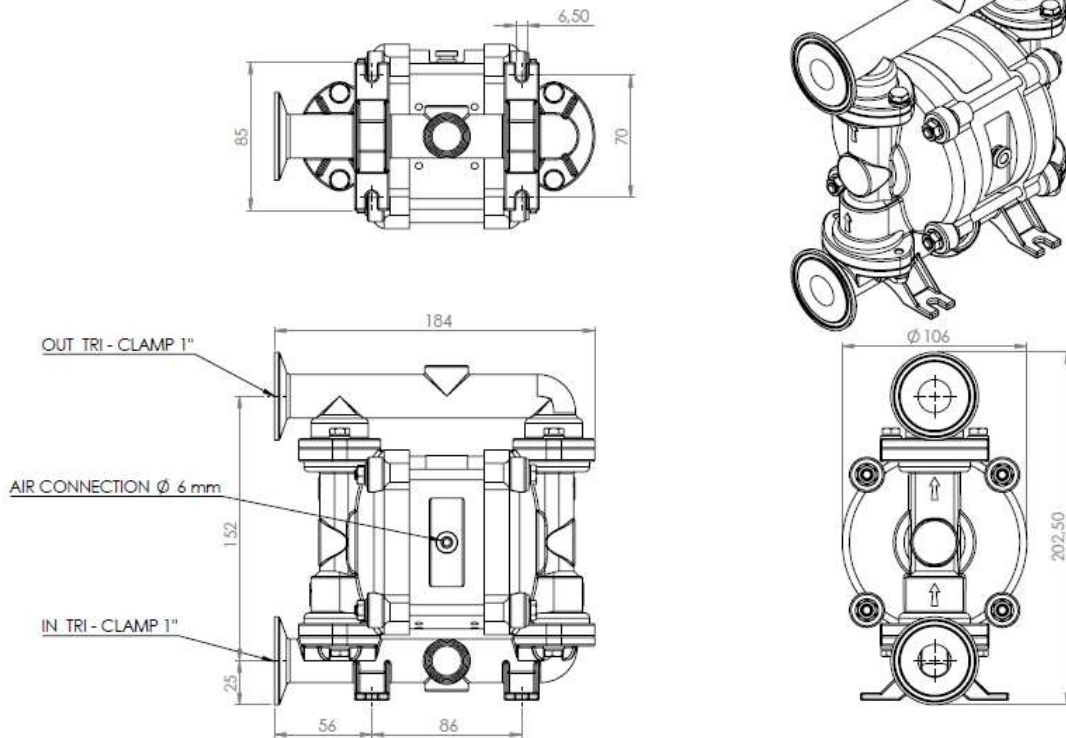
DELIVERY: B-D

SUCTION: A-C

PACKING DIMENSION

CARTON BOX: 24 x 21 x 12 cm

DIMENSIONS



Technical data are approximate and not binding for the manufacturer who reserves the right to change them without notice at any time.



FLUIMAC S.r.l. - Via Breascia, 1 - 21049 - Tradate - VA - ITALY
info@fluimac.com - www.fluimac.com
 tel. +39 0331 866688 - Fax +39 0331 864870
 P.I./VAT 03259160129

