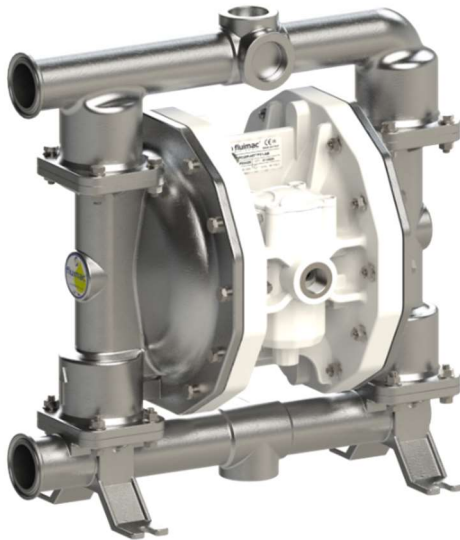


PF 170



TECHNICAL DATA

Fluid connections	1" 1/2 TRI-CLAMP
Air connection	1/2" BSP
Max. flow rate	170 lt/min
Max air pressure	8 bar
Max delivery head	80 m
Max suction lift dry	5 m
Max suction lift wet	9,8 m
Max solid passing	7,5 mm
Noise level	75 dB
Max viscosity	35.000 cps
Displacement per stroke	700 CC ~

SS AISI 316
ELECTROPOLISHED



II 3/3 G Ex h IIB T4 Gb

II 3 D Ex H IIIB T135°C Db X

Displacement per stroke may vary based on suction condition, discharge head, air pressure and fluid type.

WEIGHT

17,2 KG

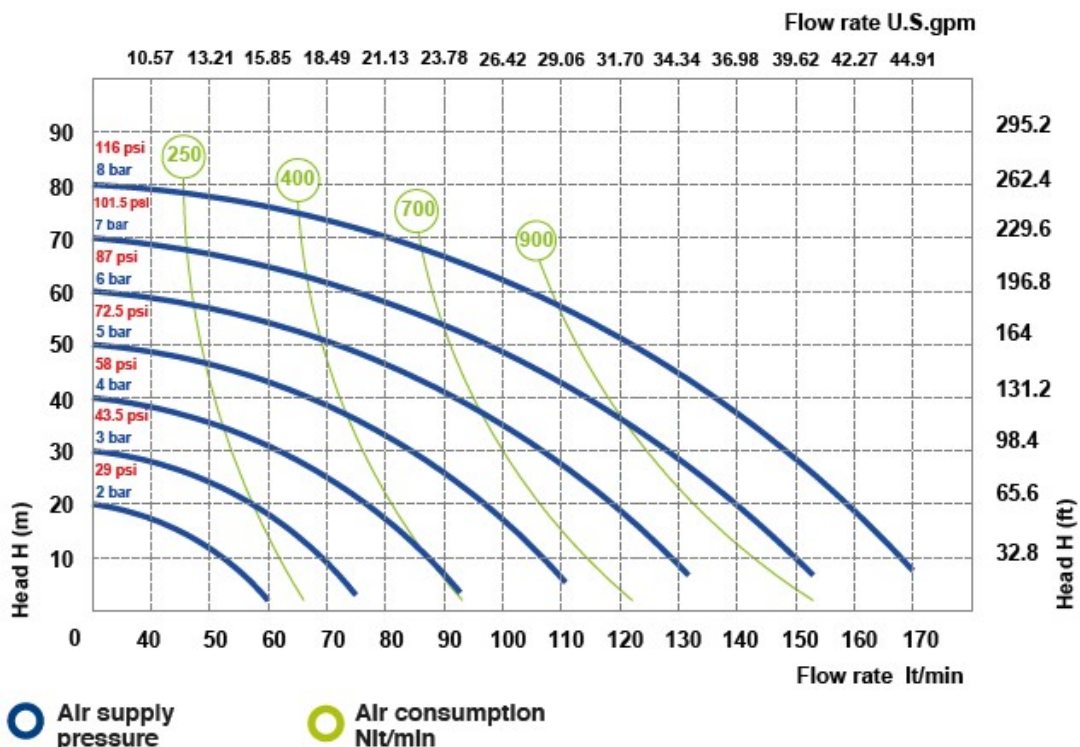
TEMPERATURE

-20°C

+95°C

PERFORMANCE

The curves and performance values refer to pumps with submerged suction and free delivery outlet, with water at 20 °C. These data may vary according to the construction materials and hydraulic conditions.



FLUIMAC S.r.l. - Via Breascia, 1 - 21049 - Tradate - VA - ITALY
info@fluimac.com - www.fluimac.com
 tel. +39 0331 866688 - Fax +39 0331 864870
 P.I./VAT 03259160129

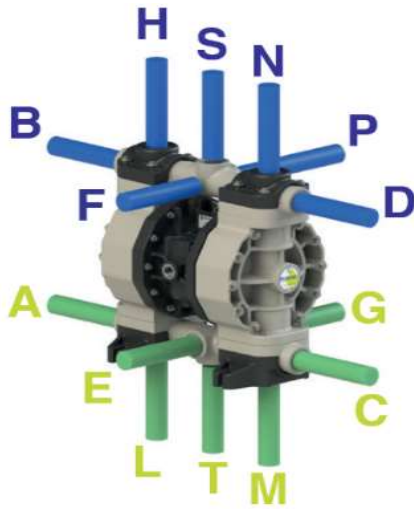


PF 170



COMPOSITION

MODEL	CASING	DIAPHRAGM	BALLS	SEATS	GASKET	CONNECTIONS	ATEX	PORTS
PF0170	SS = SS ELETCTRO-POLISHED	HT = HYTREL+PTFE MT = SANTOPRENE+PTFE	T = PTFE S = SS	S = SS	T = PTFE	1 = BSP	-= ZONE 2	AB = STANDARD



AVAILABLE CONNECTIONS

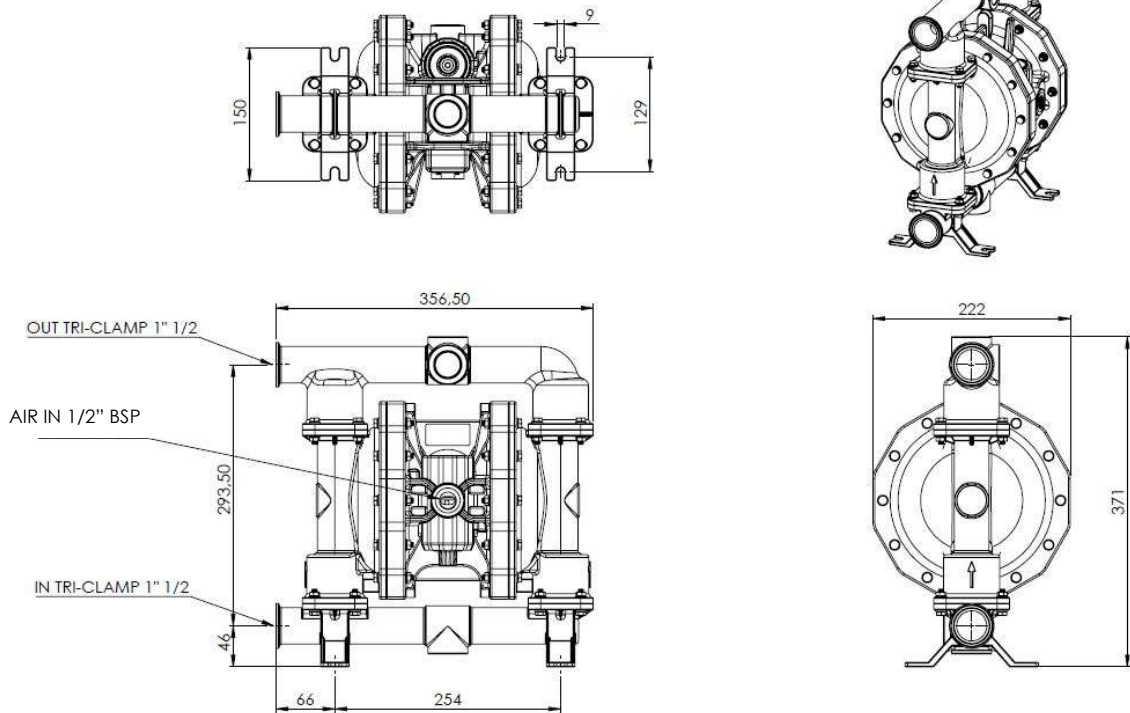
DELIVERY: B-D

SUCTION: A-C

PACKING DIMENSION

CARTON BOX: 43 X 27 X 45 cm

DIMENSIONS



Technical data are approximate and not binding for the manufacturer who reserves the right to change them without notice at any time.



FLUIMAC S.r.l. - Via Breascia, 1 - 21049 - Tradate - VA - ITALY
info@fluimac.com - www.fluimac.com
 tel. +39 0331 866688 - Fax +39 0331 864870
 P.I./VAT 03259160129

