

# PF 120



SS AISI 316  
ELECTROPOLISHED



## TECHNICAL DATA

Fluid connections	<b>1" 1/2 TRI-CLAMP</b>
Air connection	<b>3/8" BSP</b>
Max. flow rate	<b>120 lt/min</b>
Max air pressure	<b>8 bar</b>
Max delivery head	<b>80 m</b>
Max suction lift dry	<b>5 m</b>
Max suction lift wet	<b>9,8 m</b>
Max solid passing	<b>4 mm</b>
Noise level	<b>72 dB</b>
Max viscosity	<b>25.000 cps</b>
Displacement per stroke	<b>200 CC ~</b>

II 3/3 G Ex h IIC T4 Gb

II 3 D Ex H IIIB T135°C Db X

Displacement per stroke may vary based on suction condition, discharge head, air pressure and fluid type.

### WEIGHT

9,6 KG

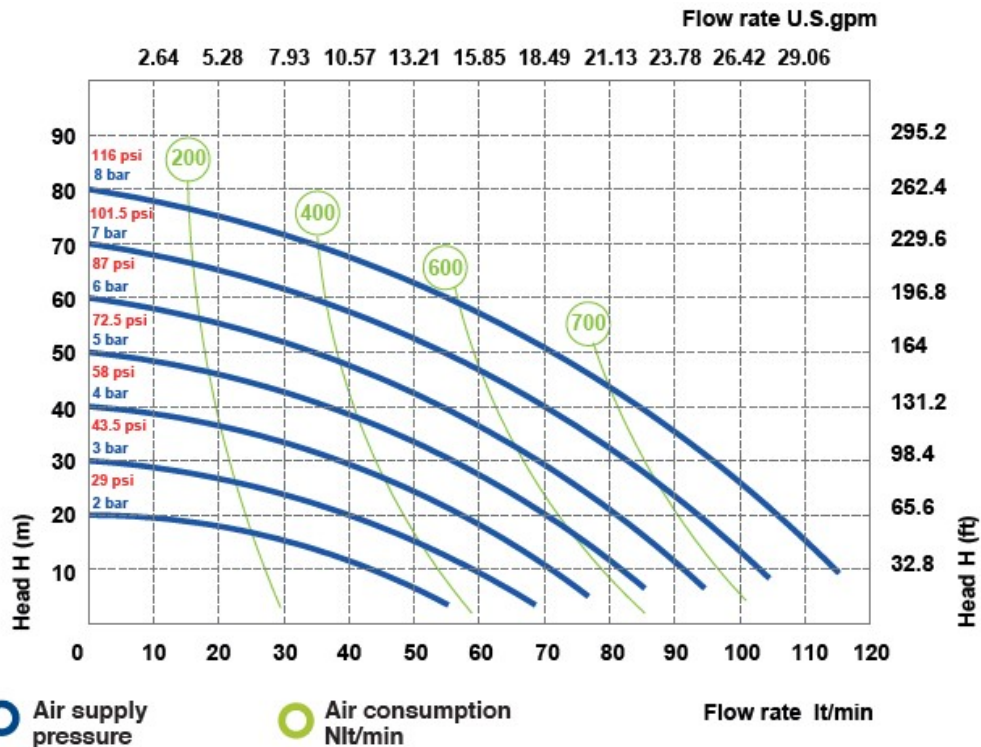
### TEMPERATURE

-20°C

+95°C

## PERFORMANCE

The curves and performance values refer to pumps with submerged suction and free delivery outlet, with water at 20 °C. These data may vary according to the construction materials and hydraulic conditions.



FLUIMAC S.r.l. - Via Breascia, 1 - 21049 - Tradate - VA - ITALY  
[info@fluimac.com](mailto:info@fluimac.com) - [www.fluimac.com](http://www.fluimac.com)  
 tel. +39 0331 866688 - Fax +39 0331 864870  
 P.I./VAT 03259160129

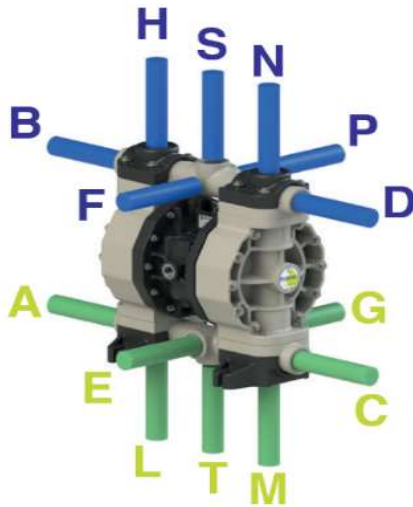


# PF 120



## COMPOSITION

MODEL	CASING	DIAPHRAGM	BALLS	SEATS	GASKET	CONNECTIONS	ATEX	PORTS
PF0120	SS = SS ELETCTRO-POLISHED	HT = HYTREL+PTFE MT = SANTOPRENE+PTFE	T = PTFE S = SS	S = SS	T = PTFE	1 = BSP 2 = FLANGED 3 = TRI-CLAMP 6 = DIN	-= ZONE 2	AB = STANDARD



## AVAILABLE CONNECTIONS

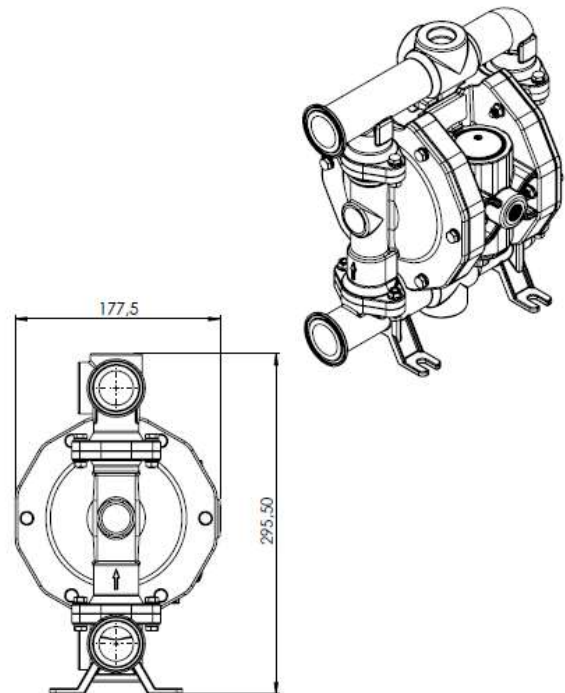
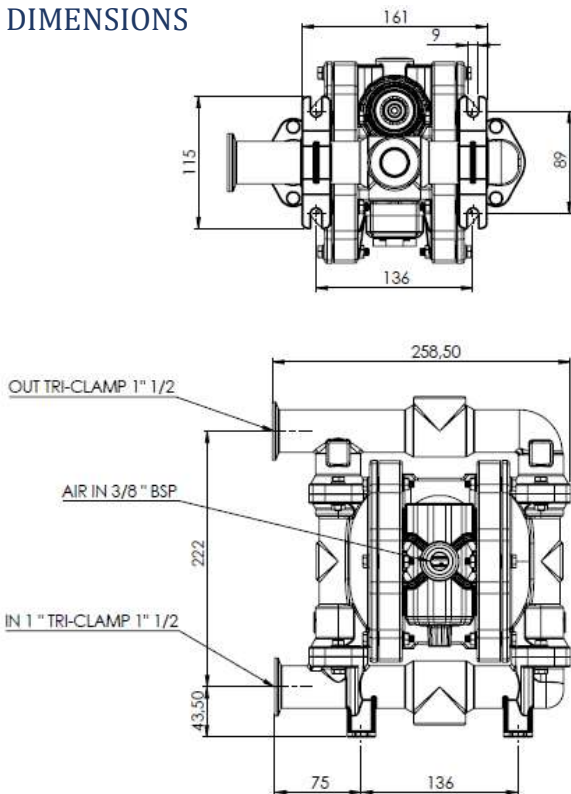
DELIVERY: B-D

SUCTION: A-C

## PACKING DIMENSION

CARTON BOX: 31 x 21 x 30 cm

## DIMENSIONS



Technical data are approximate and not binding for the manufacturer who reserves the right to change them without notice at any time.



FLUIMAC S.r.l. - Via Breascia, 1 - 21049 - Tradate - VA - ITALY  
[info@fluimac.com](mailto:info@fluimac.com) - [www.fluimac.com](http://www.fluimac.com)  
 tel. +39 0331 866688 - Fax +39 0331 864870  
 P.I./VAT 03259160129

